

**Telescopic
Fusion Pro 90 cm
Anthracite**



EAN 5414425203451

Energy label

▪ Energy Efficiency class (EEIhood)	B
▪ Annual Energy Consumption (kWh/year) (AEChood)	100,2
▪ Fluid Dynamic Efficiency class (FDEhood)	B
▪ Lighting Efficiency class (LEhood)	A
▪ Grease Filtering Efficiency class (GFEhood)	C

Functions & features

▪ Control method	Touch control
▪ Number of speeds	3 + power
▪ Automatic Power revert (minutes)	6
▪ Motor	Integrated
▪ Sound absorber	Integrated
▪ Recirculation	Optional
▪ InTouch function	Standard
▪ Auto stop	▪
▪ Delayed switch off (minutes)	10
▪ Number of grease filters	3
▪ Grease filter	8740050

Dimensions

▪ Product dimensions (WxDxH) (mm)	900 x 310 x 340
▪ Dimensions cut-out opening (WxD) (mm)	x
▪ Min dimensions cabinet (WxDxH) (mm)	900 x 310 x 340
▪ Advised mounting height induction hobs (Hmin-Hmax) (mm)	500 - 750
▪ Advised mounting height gas hobs (Hmin-Hmax) (mm)	650 - 750
▪ Advised mounting height ceramic hobs (Hmin-Hmax) (mm)	500 - 750
▪ Diameter outlet (mm)	150
▪ Position exhaust	Top

Lighting

▪ Functional lighting type	Led strip
▪ Dimmable light	▪
▪ Total energy consumption functional light (W)	18
▪ Color functional light	3000

Airflow and noise level

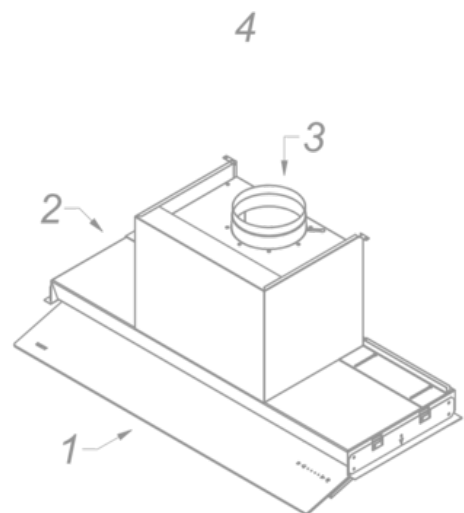
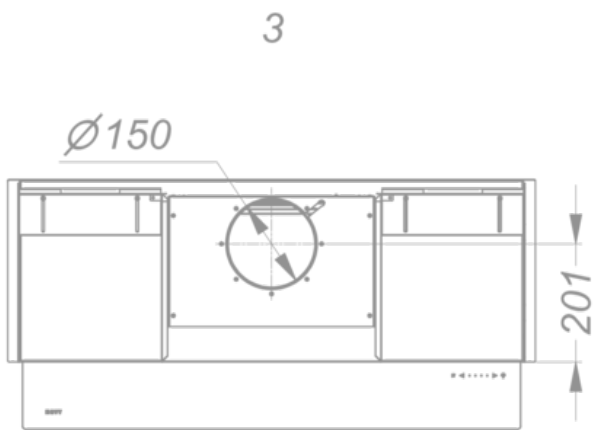
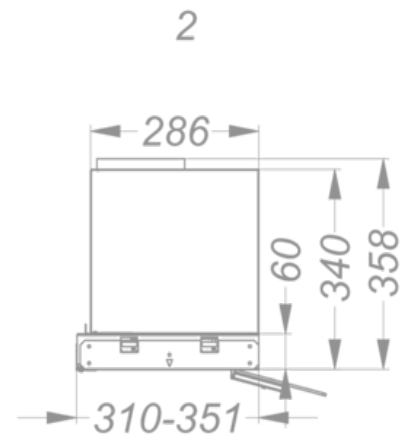
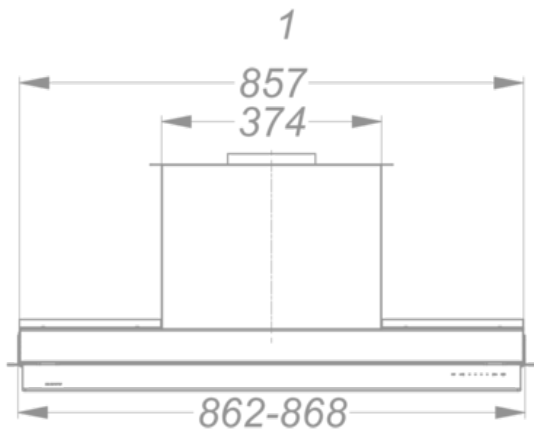
▪ Free airflow (m ³ /h)	1000
▪ Airflow (m ³ /h) measured according to EN 61591	
▪ Sound regulation according to EN 60704-2-13	
▪ Airflow duct out speed 1 (m ³ /h) / Max pressure duct out speed 1 (Pa)	323 / 378
▪ Airflow duct out speed 2 (m ³ /h) / Max pressure duct out speed 2 (Pa)	403 / 396
▪ Airflow duct out speed 3 (m ³ /h) / Max pressure duct out speed 3 (Pa)	562 / 409

Airflow and noise level

- Airflow duct out max powerspeed (m³/h) (Qboost) / Max pressure duct out 804 / 462
max powerspeed (Pa)
- Sound pressure duct out speed 1 (dB(A)) / Sound power duct out speed 36 / 48
1 (dB(A))
- Sound pressure duct out speed 2 (dB(A)) / Sound power duct out speed 40 / 52
2 (dB(A))
- Sound pressure duct out speed 3 (dB(A)) / Sound power duct out speed 47 / 59
3 (dB(A))
- Sound pressure duct out at max powerspeed (dB(A)) / Sound power duct 59 / 71
out at max powerspeed (dB(A)) (LWAboost)

Technical specifications

▪ Maximum power (W)	312
▪ Voltage cooker hood (V)	230
▪ Frequency (Hz)	50
▪ Length power supply cord (m)	1,1
▪ Power consumption in stand-by-mode (Ps) (W)	0,25
▪ Net weight (kg)	14,5



Installation accessories

Back panel & chimney extensions

- 88408160 Chimney extension

Additional accessories

- 840029 Remote control

Accessories

Recirculation kit



8740400

Monoblock recirculation set Fusion Pro / Advanced

